

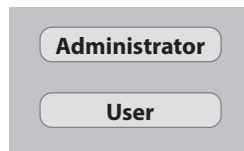
CIJ Printer Start-up/ Shutdown Procedures: Z4700, Z5700

Start-up Procedure

- 1 Turn the power On via the black switch located on the right side of the machine.



- 2 Select the account (or access level) you wish to use to operate the machine.



- 3 Press the virtual red power button on the lower-left side of the touchscreen.

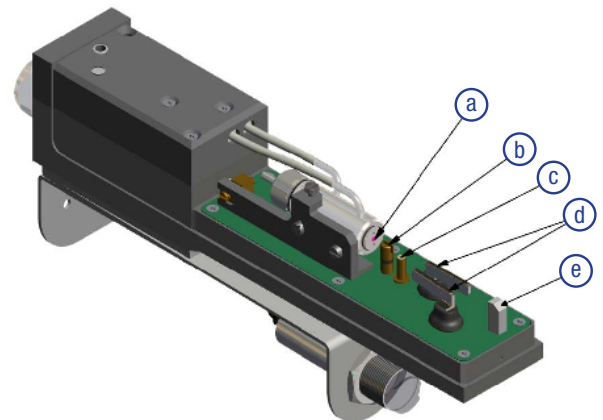


- 4 While the machine is going through its start-up process, remove the print head cover.

- 5 If the print head has ink on it, it must be cleaned before use by doing the following:

- Use the print head cleaner and spray bottle provided with the system to clean the print head:

- a. nozzle
- b. charge electrode
- c. phase electrode
- d. deflection plates
- e. gutter



- Wipe off excess solvent with a clean, lint-free cloth. Allow any remaining solvent to fully evaporate
- Once the printhead is clean and completely dry, place the cover on it and secure it by tightening the knob


WARNING:

- The inside of the print head must be completely dry. The presence of moisture can impact system performance.
- When cleaning the print head, be careful to avoid damage or misaligning the ink stream.

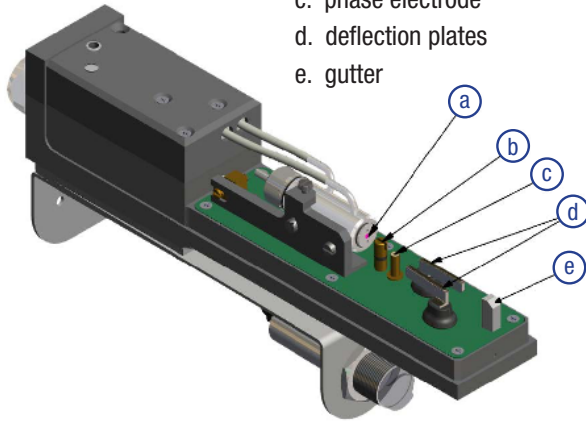
Contact Zanasi USA today!

T 763-593-1907 W zanasiusa.com E service@zanasiusa.com

Shutdown procedure when pumps are running

- 1 Shut the machine down by pressing the virtual red power button and selecting "switch off system". 
- 2 While the machine goes through its shutdown process:
 - Use the print head cleaner and spray bottle provided with the system to clean the print head:

- a. nozzle
- b. charge electrode
- c. phase electrode
- d. deflection plates
- e. gutter



- Wipe off excess solvent with a clean, lint-free cloth. Allow any remaining solvent to fully evaporate.

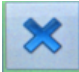

- 3 When the machine finishes its shutdown process, the screen will go black with a graphic of a finger pointing to the power switch.

- 4 Turn the power Off with the black power switch on the right side of the machine.



- 5 Shutdown procedure is complete.

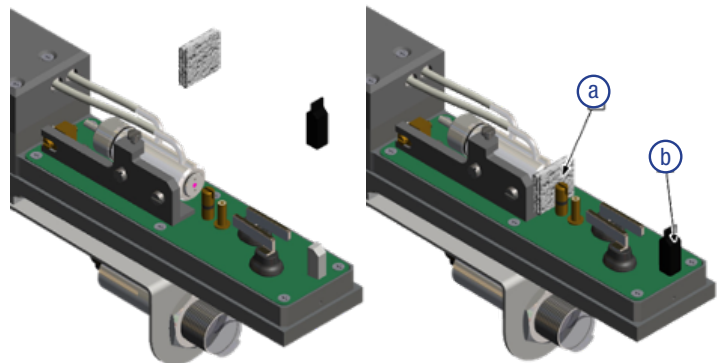
Shutdown procedure when pumps are off

- 1 Press the virtual "X" button in the upper right corner of the screen. 
- 2 Press the virtual red power button in the lower right portion of the screen. 
- 3 Allow the machine to go through its shutdown process.
- 4 Turn the power Off with the black power switch on the right side of the machine.
- 5 Shut down procedure is complete.



Extra Step For Extended Shutdown (>1 week)

Place a lint-free cloth over the nozzle (a) and a shrink wrap cover over the gutter (b).



For Long-Term Storage (>1 month)

If you expect to have a machine off-line for more than 30 days, we highly recommend that the system be completely flushed and properly conditioned for long term storage. Contact your authorized Zanasi USA service representative for details.

Contact Zanasi USA today!

T 763-593-1907 W zanasiusa.com E service@zanasiusa.com