

CIJ Printer Start-up/ Shutdown Procedures: Z3000, Z4500, Z5000

Start-up Procedure

- 1 Turn the power On via the black switch located on the right side of the machine



- 2 Press the START/STOP button on the upper left side of the machine keypad

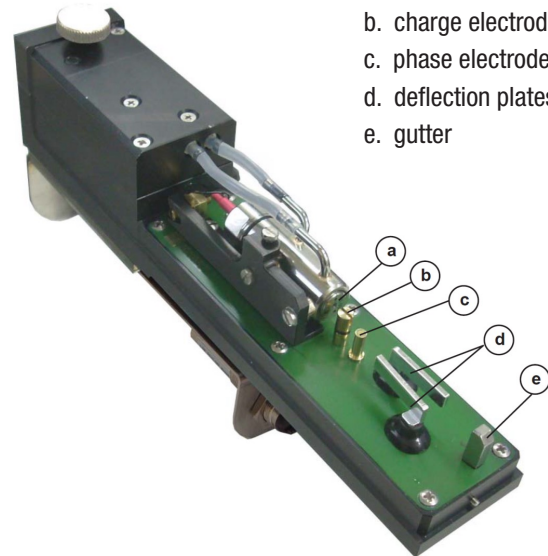


- 3 While the machine is going through its start-up process, remove the print head cover

- 4 If the print head has ink on it, it must be cleaned before use by doing the following:

- If the ink stream is flowing, turn it off by pressing the "SCREWDRIVER" icon, followed by "F4"
- Use the print head cleaner and spray bottle provided with the system to clean the print head:

- a. nozzle
- b. charge electrode
- c. phase electrode
- d. deflection plates
- e. gutter



- Wipe off excess solvent with a clean, lint-free cloth. Allow any remaining solvent to fully evaporate to avoid a "Plate Spark Alarm"

- 5 Replace the cover

- 6 Start-up is complete. Machine is ready to resume operation

Contact Zanasi USA today!

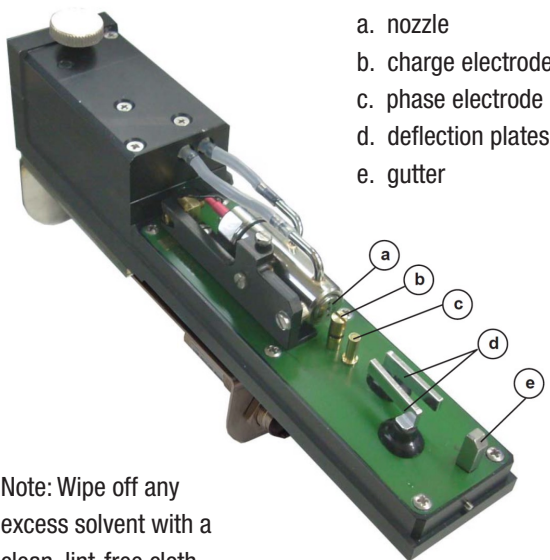
T 763-593-1907 W zanasiusa.com E service@zanasiusa.com

Shutdown Procedure

- 1 Shut the machine down by pressing the START/STOP button, then select F2 (SYSTEM OFF)

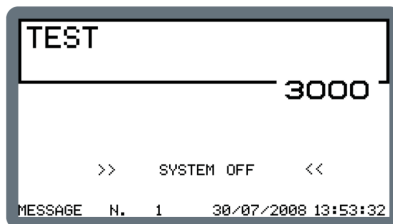


- 2 While the machine is going through its shutdown process, use the print head cleaner and spray bottle provided with the system to rinse residual ink from the:



Note: Wipe off any excess solvent with a clean, lint-free cloth

- 3 When the machine finishes its shutdown process, the screen will say SYSTEM OFF



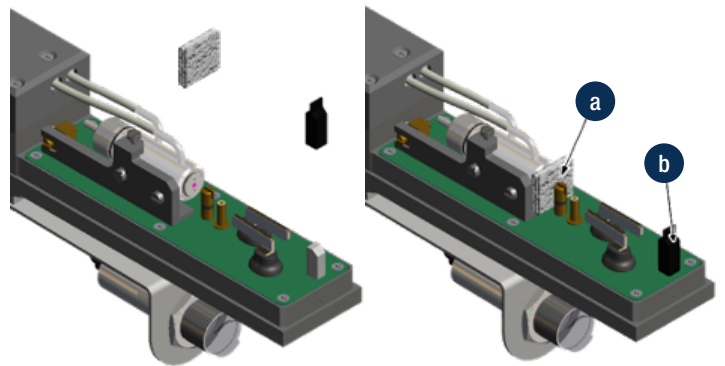
- 4 Turn the power Off with the black power switch on the right side of the machine



- 5 Shutdown procedure is complete

Extra Step For Extended Shutdown (>1 week)

Place a lint-free cloth over the nozzle (a) and a shrink wrap cover over the gutter (b).



For Long-Term Storage (>1 month)

If you expect to have a machine off-line for more than 30 days, we highly recommended that the system be completely flushed and properly conditioned for long term storage. Contact your authorized Zanasi USA service representative for details.

Contact Zanasi USA today!

T 763-593-1907 W zanasiusa.com E service@zanasiusa.com